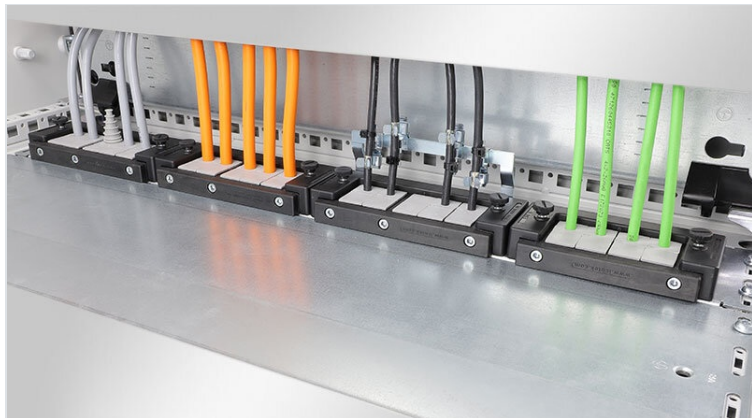


KDR-ESR gland plates with slide frames

for Rittal, nVent Hoffman & Häwa enclosures / IP54



The KDR-ESR is a one-piece plate to be assembled on enclosure bases. Slide frames for the [KEL-U cable entry frames](#) and [KEL-QUICK cable entry frames](#) are already pre-assembled. On some gland plate types [KEL-JUMBO cable entry frames](#) can be mounted as well.

After installing all cables into the KEL-U frames, they are easily and quickly inserted into the slide frames and fixed. During maintenance, the KEL-U frames are removed without tools from the slide frames. Due to the combination KDR-ESR and KEL-U cable entry frames, a rating of IP54 is achieved (with correct selection of cable grommets). Slide frames which are no longer required, are closed with [BPK-SNAP blank plates](#).

The extremely narrow (75 mm) gland plate KDRS-ESR-VX25 is assembled on enclosure base plates. This enables straight cable routing into the cable duct, without bending the cables. Thus, the cable duct can be set lower allowing more space for other components in the cabinet.

IP54



RoHS compliant



Made in Germany

Specifications

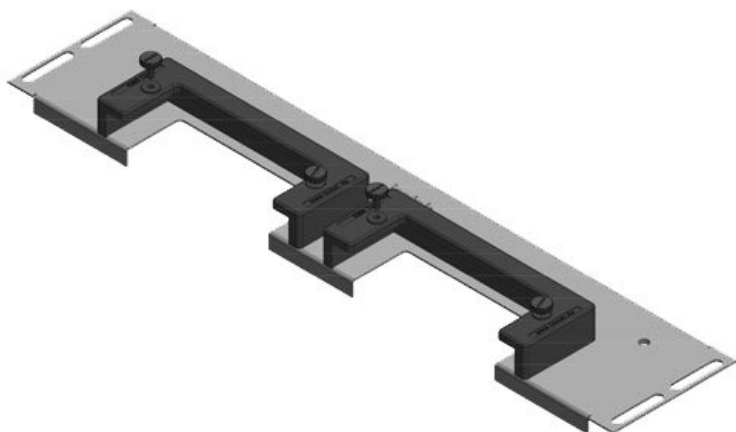
IP rating (EN 60529)	IP54
Material	Base plate: Steel, zinc plated ESR frame: Polyamide
Flame class	UL94-V0, self-extinguishing
Operating temperature	-40 C° to 90 C°
Properties	silicone free, halogen free
Mounting options	Screw type mounting

Advantages & benefits

- Easy assembly and removal
- During assembly, almost the complete base of the enclosure can be used for installation of cables
- Even large connectors can be installed easily
- Subsequent assembly possible
- No additional sheet metal work required

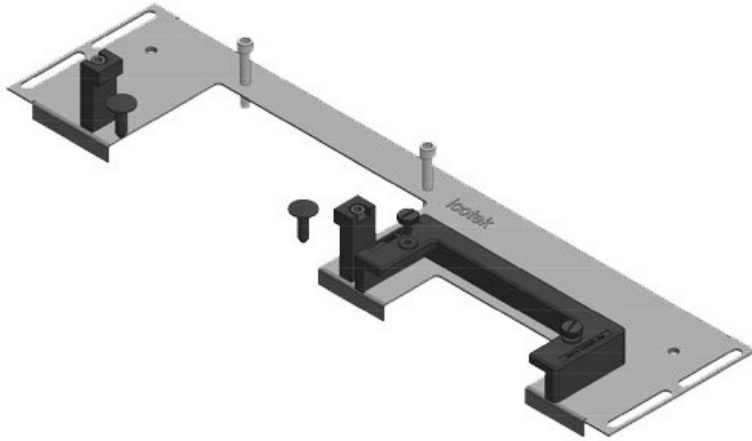
Product types & sizes

KDR-ESR-VX25-600-44500



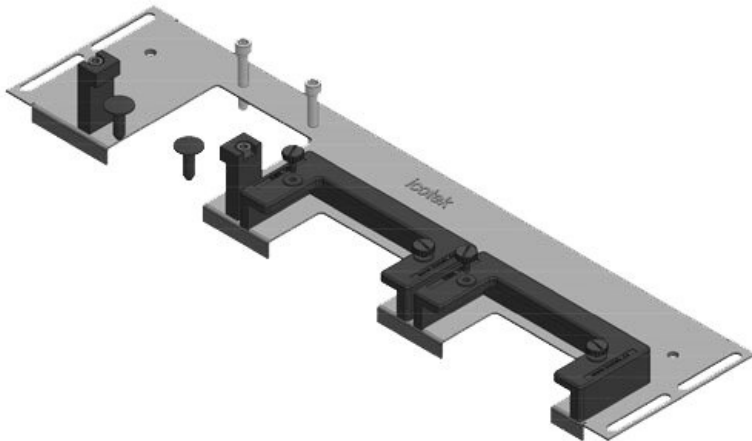
Part No.	44500	For enclosure	600 mm
EAN	4251269319	width	
	754	Sight size of	452 mm
Package	1	base opening	
quantity		Suitable for	2 x KEL-U 24
Length	488 mm	cable entry	/ KEL-QUICK
Width	100 mm	systems:	24
Height	43 mm	Suitable for	Rittal VX25
Total length	488 mm	enclosure	
gland plate			

KDR-ESR-VX25-600-44501



Part No.	44501	For enclosure	600 mm
EAN	4251269319	width	
	761	Sight size of	452 mm
Package	1	base opening	
quantity		Suitable for	1 × KEL-U 24
Length	488 mm	cable entry	/ KEL-QUICK
Width	120 mm	systems:	24, 1 × KEL-
Height	57 mm		JUMBO 2
Total length	488 mm	Suitable for	Rittal VX25
gland plate		enclosure	

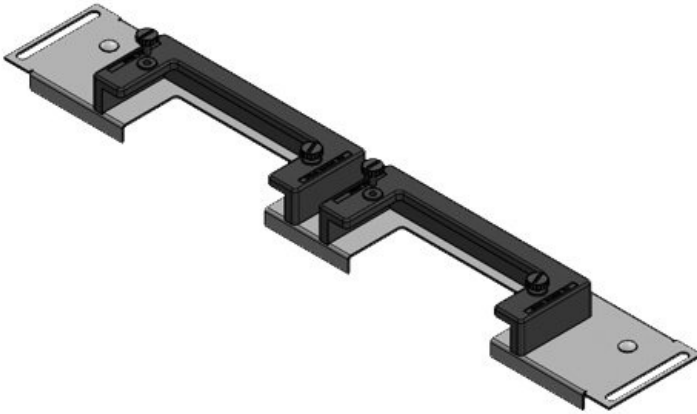
KDR-ESR-VX25-600-44502



Part No.	44502	For enclosure	600 mm
EAN	4251269319	width	
	778	Sight size of	452 mm
Package	1	base opening	
quantity		Suitable for	2 × KEL-U 16
Length	488 mm	cable entry	/ KEL-QUICK
Width	120 mm	systems:	16, 1 × KEL-
Height	57 mm		JUMBO 1
Total length	488 mm	Suitable for	Rittal VX25
gland plate		enclosure	

KDRS-ESR-VX25-600-44512

Part No.	44512	For enclosure	600 mm
EAN	4251269321	width	
	108	Sight size of	452 mm
Package	1	base opening	
quantity		Suitable for	2 × KEL-U 24
Length	488 mm	cable entry	/ KEL-QUICK
Width	75 mm	systems:	24
Height	44 mm	Suitable for	Rittal VX25
Total length	488 mm	enclosure	
gland plate			

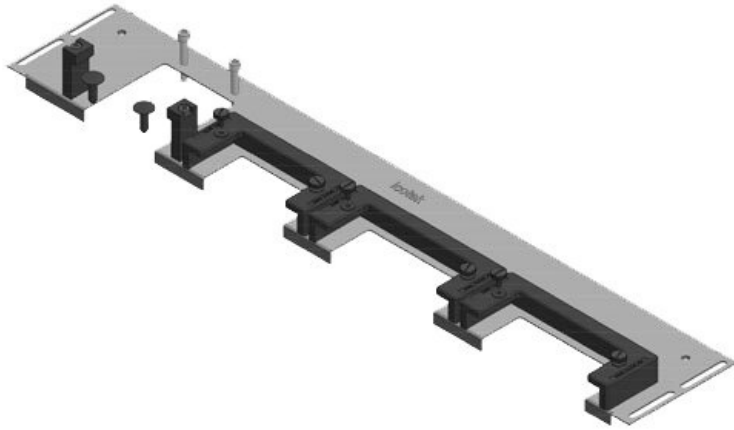


KDR-ESR-VX25-800-44503

Part No.	44503	For enclosure	800 mm
EAN	4251269319	width	
	785	Sight size of	652 mm
Package	1	base opening	
quantity		Suitable for	3 × KEL-U 24
Length	688 mm	cable entry	/ KEL-QUICK
Width	100 mm	systems:	24, 1 × KEL-
Height	43 mm		U 16 / KEL-
Total length	688 mm		QUICK 16
gland plate		Suitable for	Rittal VX25
		enclosure	

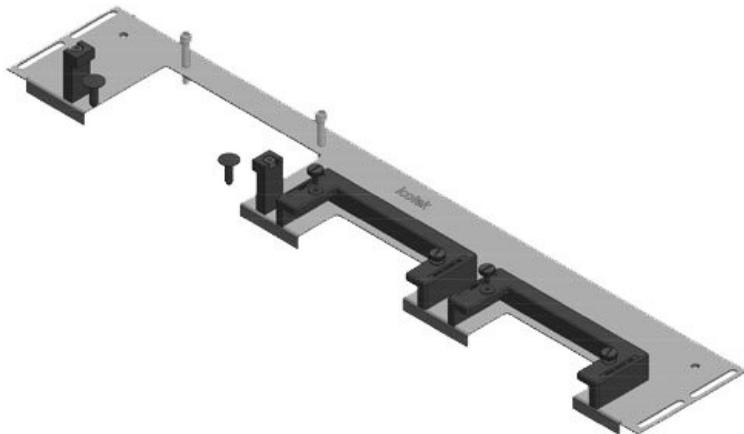


KDR-ESR-VX25-800-44504



Part No.	44504	For enclosure width	800 mm
EAN	4251269319792	Sight size of base opening	652 mm
Package quantity	1	Suitable for cable entry systems:	2 × KEL-U 24 / KEL-QUICK 24, 1 × KEL-U 16 / KEL-QUICK 16, 1 × KEL-JUMBO 1
Length	688 mm		
Width	120 mm		
Height	57 mm		
Total length gland plate	688 mm	Suitable for enclosure	Rittal VX25

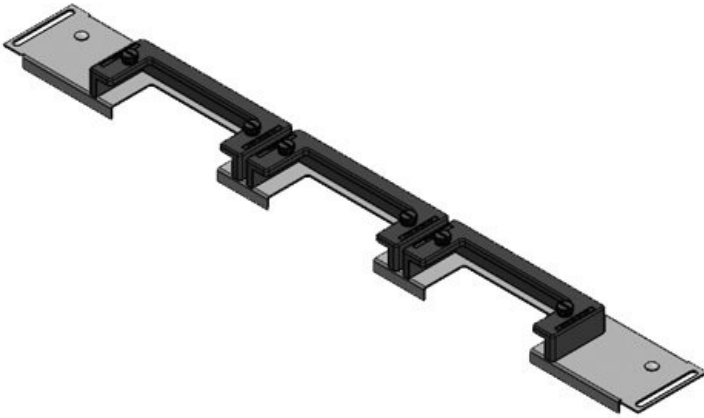
KDR-ESR-VX25-800-44505



Part No.	44505	For enclosure width	800 mm
EAN	4251269319808	Sight size of base opening	652 mm
Package quantity	1	Suitable for cable entry systems:	2 × KEL-U 24 / KEL-QUICK 24, 1 × KEL-JUMBO 2
Length	688 mm		
Width	120 mm		
Height	57 mm		
Total length gland plate	688 mm	Suitable for enclosure	Rittal VX25

KDRS-ESR-VX25-800-44513

Part No.	44513	For enclosure	800 mm
EAN	4251269321	width	
	115	Sight size of	652 mm
Package	1	base opening	
quantity		Suitable for	3 × KEL-U 24
Length	688 mm	cable entry	/ KEL-QUICK
Width	75 mm	systems:	24
Height	43 mm	Suitable for	Rittal VX25
Total length	688 mm	enclosure	
gland plate			

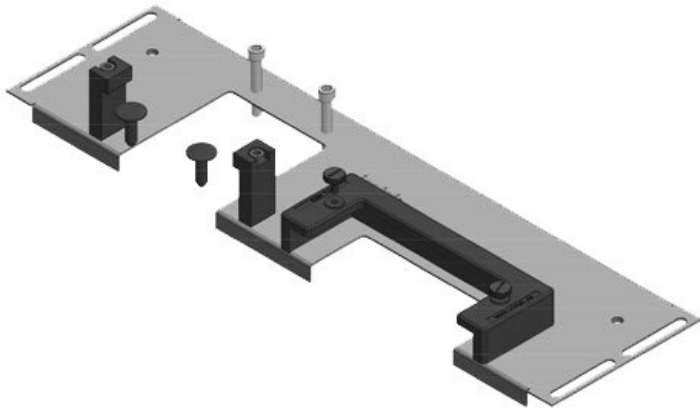


KDR-ESR-VX25-1000-44506

Part No.	44506	For enclosure	1.000 mm
EAN	4251269319	width	
	815	Sight size of	402 mm
Package	1	base opening	
quantity		Division bar	yes
Length	438 mm	Suitable for	2 × KEL-U 24
Width	100 mm	cable entry	/ KEL-QUICK
Height	43 mm	systems:	24
Total length	438 mm	Suitable for	Rittal VX25
gland plate		enclosure	

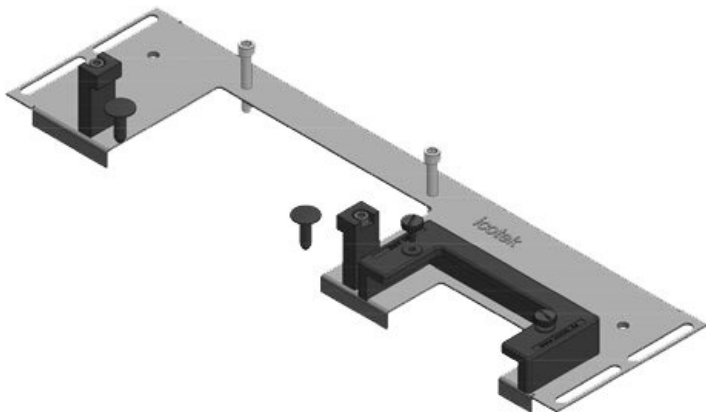


KDR-ESR-VX25-1000-44507



Part No.	44507	For enclosure width	1.000 mm
EAN	4251269319	Sight size of base opening	402 mm
Package quantity	1	Division bar	yes
Length	438 mm	Suitable for cable entry systems:	1 × KEL-U 24 / KEL-QUICK 24, 1 × KEL-JUMBO 1
Width	120 mm	Suitable for enclosure	Rittal VX25
Height	57 mm		
Total length gland plate	438 mm		

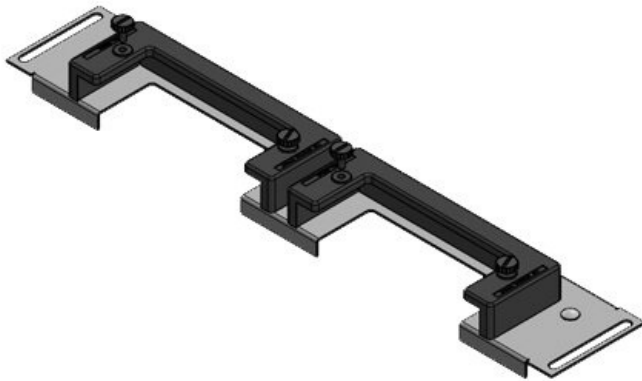
KDR-ESR-VX25-1000-44508



Part No.	44508	For enclosure width	1.000 mm
EAN	4251269319	Sight size of base opening	402 mm
Package quantity	1	Division bar	yes
Length	438 mm	Suitable for cable entry systems:	1 × KEL-U 16 / KEL-QUICK 16, 1 × KEL-JUMBO 2
Width	120 mm	Suitable for enclosure	Rittal VX25
Height	57 mm		
Total length gland plate	438 mm		

KDRS-ESR-VX25-1000-44514

Part No.	44514	For enclosure width	1.000 mm
EAN	4251269321	Sight size of base opening	402 mm
Package quantity	1	Suitable for cable entry systems:	2 × KEL-U 24 / KEL-QUICK 24
Length	438 mm	Suitable for enclosure	Rittal VX25
Width	75 mm		
Height	44 mm		
Total length gland plate	438 mm		

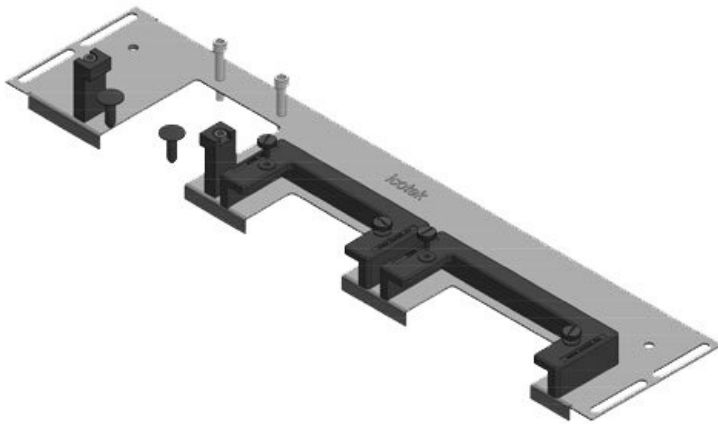


KDR-ESR-VX25-1200-44509

Part No.	44509	For enclosure width	1.200 mm
EAN	4251269319	Sight size of base opening	502 mm
Package quantity	1	Suitable for cable entry systems:	3 × KEL-U 24 / KEL-QUICK 24
Length	538 mm	Suitable for enclosure	Rittal VX25
Width	100 mm		
Height	43 mm		
Total length gland plate	538 mm		

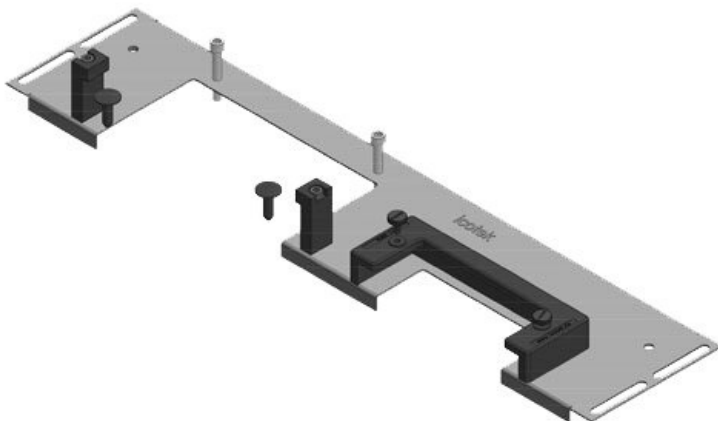


KDR-ESR-VX25-1200-44510



Part No.	44510	For enclosure width	1.200 mm
EAN	4251269319	Sight size of base opening	502 mm
Package quantity	1	Suitable for cable entry systems:	1 × KEL-U 24 / KEL-QUICK 24, 1 × KEL-U 16 / KEL-QUICK 16, 1 × KEL-JUMBO 1
Length	538 mm		
Width	120 mm		
Height	57 mm		
Total length gland plate	538 mm	Suitable for enclosure	Rittal VX25

KDR-ESR-VX25-1200-44511



Part No.	44511	For enclosure width	1.200 mm
EAN	4251269319	Sight size of base opening	502 mm
Package quantity	1	Suitable for cable entry systems:	1 × KEL-U 24 / KEL-QUICK 24, 1 × KEL-JUMBO 2
Length	538 mm		
Width	120 mm		
Height	57 mm		
Total length gland plate	538 mm	Suitable for enclosure	Rittal VX25

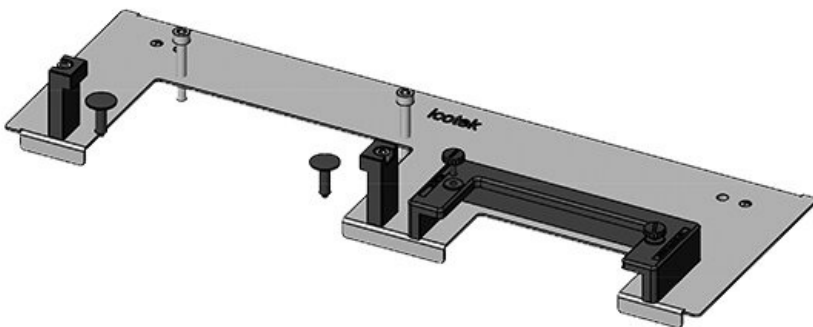
KDRS-ESR-VX25-1200-44515

Part No.	44515	For enclosure	1.200 mm
EAN	4251269321	width	
	139	Sight size of	502 mm
Package	1	base opening	
quantity		Suitable for	3 × KEL-U 24
Length	538 mm	cable entry	/ KEL-QUICK
Width	75 mm	systems:	24
Height	44 mm	Suitable for	Rittal VX25
Total length	538 mm	enclosure	
gland plate			



KDR-ESR-TS8-600-43070

Part No.	43070	For enclosure	600 mm
EAN	4251269309	width	
	519	Sight size of	435 mm
Package	1	base opening	
quantity		Suitable for	1 × KEL-U 24
Length	458 mm	cable entry	/ KEL-QUICK
Width	150 mm	systems:	24, 1 × KEL-
Height	57 mm		JUMBO 2
Total length	458 mm	Suitable for	Rittal TS 8
gland plate		enclosure	



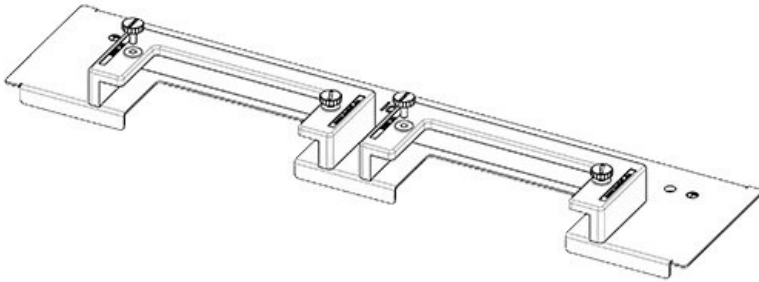
KDR-ESR-TS8-600-43071

Part No. **43071**
 EAN **4251269309526**
 Package quantity **1**
 Length **458 mm**
 Width **150 mm**
 Height **57 mm**
 Total length gland plate **458 mm**

For enclosure width **600 mm**
 Sight size of base opening **435 mm**
 Suitable for cable entry systems: **2 × KEL-U 16 / KEL-QUICK 16, 1 × KEL-JUMBO 1**
 Suitable for enclosure **Rittal TS 8**

**KDR-ESR-TS8-600-43079**

Part No. **43079** For enclosure width **600 mm**
 EAN **4251269309601** width
 Package quantity **1** Sight size of base opening **435 mm**
 Length **458 mm** Suitable for cable entry systems: **2 × KEL-U 24 / KEL-QUICK 24**
 Width **100 mm** systems:
 Height **44 mm** Suitable for enclosure **Rittal TS 8**
 Total length gland plate **458 mm**

**KDR-ESR-TS8-800-43072**

Part No. **43072**
 EAN **4251269309533**
 Package quantity **1**
 Length **658 mm**
 Width **150 mm**
 Height **57 mm**
 Total length gland plate **658 mm**

For enclosure width **800 mm**
 Sight size of base opening **635 mm**
 Suitable for cable entry systems: **3 × KEL-U 24 / KEL-QUICK 24, 1 × KEL-JUMBO 1**
 Suitable for enclosure **Rittal TS 8**

**KDR-ESR-TS8-800-43073**

Part No. **43073**
 EAN **4251269309540**
 Package quantity **1**
 Length **658 mm**
 Width **150 mm**
 Height **57 mm**
 Total length gland plate **658 mm**

For enclosure width **800 mm**
 Sight size of base opening **635 mm**
 Suitable for cable entry systems: **2 × KEL-U 24 / KEL-QUICK 24, 1 × KEL-JUMBO 2**
 Suitable for enclosure **Rittal TS 8**

**KDR-ESR-TS8-800-43080**

Part No. **43080**
 EAN **4251269309618**
 Package quantity **1**
 Length **658 mm**
 Width **100 mm**
 Height **44 mm**
 Total length gland plate **658 mm**

For enclosure width **800 mm**
 Sight size of base opening **635 mm**
 Suitable for cable entry systems: **3 × KEL-U 24 / KEL-QUICK 24, 1 × KEL-U 16 / KEL-QUICK 16**
 Suitable for enclosure **Rittal TS 8**



KDR-ESR-TS8-1000-43074

Part No.
EAN
Package quantity
Length
Width
Height
Total length gland plate

43074
4251269309557
1
858 mm
150 mm
57 mm
858 mm

For enclosure width
Sight size of base opening
Division bar
Suitable for cable entry systems:
Suitable for enclosure

1.000 mm
835 mm
no
4 × KEL-U 24 / KEL-QUICK 24,
1 × KEL-JUMBO 1
Rittal TS 8



KDR-ESR-TS8-1000-43075

Part No.
EAN
Package quantity
Length
Width
Height
Total length gland plate

43075
4251269309564
1
858 mm
150 mm
57 mm
858 mm

For enclosure width
Sight size of base opening
Division bar
Suitable for cable entry systems:
Suitable for enclosure

1.000 mm
835 mm
no
3 × KEL-U 24 / KEL-QUICK 24,
1 × KEL-JUMBO 2
Rittal TS 8



KDR-ESR-TS8-1000-43076

Part No.
EAN
Package quantity
Length
Width
Height
Total length gland plate

43076
4251269309571
1
420 mm
150 mm
57 mm
420 mm

For enclosure width
Sight size of base opening
Division bar
Suitable for cable entry systems:
Suitable for enclosure

1.000 mm
398 mm
yes
1 × KEL-U 24 / KEL-QUICK 24,
1 × KEL-JUMBO 1
Rittal TS 8



KDR-ESR-TS8-1000-43077

Part No.
EAN
Package quantity
Length
Width
Height
Total length gland plate

43077
4251269309588
1
420 mm
150 mm
57 mm
420 mm

For enclosure width
Sight size of base opening
Division bar
Suitable for cable entry systems:
Suitable for enclosure

1.000 mm
398 mm
yes
1 × KEL-U 24 / KEL-QUICK 24,
1 × KEL-JUMBO 2
Rittal TS 8



KDR-ESR-TS8-1000-43081

Part No.
EAN
Package quantity
Length
Width
Height
Total length gland plate

43081
4251269309625
1
858 mm
100 mm
44 mm
858 mm

For enclosure width
Sight size of base opening
Division bar
Suitable for cable entry systems:
Suitable for enclosure

1.000 mm
835 mm
no
5 × KEL-U 24 / KEL-QUICK 24
Rittal TS 8



KDR-ESR-TS8-1000-43082

Part No.
EAN
Package quantity
Length
Width
Height
Total length gland plate

43082
4251269309632
1
420 mm
100 mm
44 mm
420 mm

For enclosure width
Sight size of base opening
Division bar
Suitable for cable entry systems:
Suitable for enclosure

1.000 mm
398 mm
yes
2 × KEL-U 24 / KEL-QUICK 24
Rittal TS 8



KDR-ESR-TS8-1200-43078

Part No. **43078**
 EAN **4251269309595**
 Package quantity **1**
 Length **518 mm**
 Width **150 mm**
 Height **57 mm**
 Total length gland plate **518 mm**

For enclosure width **1.200 mm**
 Sight size of base opening **495 mm**
 Suitable for cable entry systems: **2 × KEL-U 24 / KEL-QUICK 24, 1 × KEL-JUMBO 1**
 Suitable for enclosure **Rittal TS 8**

KDR-ESR-TS8-1200-43083

Part No. **43083**
 EAN **4251269309649**
 Package quantity **1**
 Length **518 mm**
 Width **100 mm**
 Height **44 mm**
 Total length gland plate **518 mm**

For enclosure width **1.200 mm**
 Sight size of base opening **495 mm**
 Suitable for cable entry systems: **3 × KEL-U 24 / KEL-QUICK 24**
 Suitable for enclosure **Rittal TS 8**

KDR-ESR-TS8-1200-43084

Part No. **43084**
 EAN **4251269309656**
 Package quantity **1**
 Length **518 mm**
 Width **150 mm**
 Height **57 mm**
 Total length gland plate **518 mm**

For enclosure width **1.200 mm**
 Sight size of base opening **495 mm**
 Suitable for cable entry systems: **1 × KEL-U 24 / KEL-QUICK 24, 1 × KEL-JUMBO 2**
 Suitable for enclosure **Rittal TS 8**

KDR-ESR-HW-600 + blank sheet

Part No. **44520**
 EAN **4251269324543**
 Package quantity **1**
 Length **427 mm**
 Width **136 mm**
 Height **56 mm**
 Total length gland plate **427 mm**

For enclosure width **600 mm**
 Sight size of base opening **392 mm**
 Suitable for cable entry systems: **2 × KEL-U 24 / KEL-QUICK 24**
 Suitable for enclosure **Häwa H390 / H395**

KDR-ESR-HW-800 + blank sheet

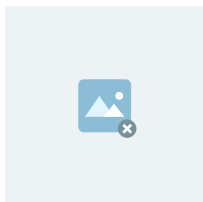
Part No. **44521**
 EAN **4251269324550**
 Package quantity **1**
 Length **627 mm**
 Width **136 mm**
 Height **59 mm**
 Total length gland plate **627 mm**

For enclosure width **800 mm**
 Sight size of base opening **592 mm**
 Suitable for cable entry systems: **3 × KEL-U 24 / KEL-QUICK 24**
 Suitable for enclosure **Häwa H390 / H395**

KDR-ESR-HW-800

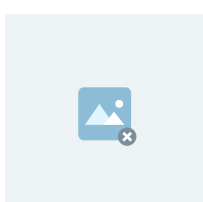
Part No. **44522**
 EAN **4251269324567**
 Package quantity **1**
 Length **627 mm**
 Width **133 mm**
 Height **70 mm**
 Total length gland plate **627 mm**

For enclosure width **800 mm**
 Sight size of base opening **592 mm**
 Suitable for cable entry systems: **2 × KEL-U 24 / KEL-QUICK 24, 1 × KEL-JUMBO 1**
 Suitable for enclosure **Häwa H390 / H395**

KDR-ESR-HW-1000 + blank sheet

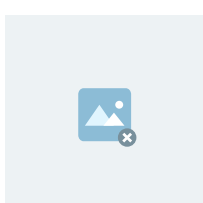
Part No. **44523**
 EAN **4251269324574**
 Package quantity **1**
 Length **827 mm**
 Width **136 mm**
 Height **56 mm**
 Total length gland plate **827 mm**

For enclosure width **1.000 mm**
 Sight size of base opening **792 mm**
 Suitable for cable entry systems: **4 × KEL-U 24 / KEL-QUICK 24**
 Suitable for enclosure **Häwa H390 / H395**

KDR-ESR-HW-1200 + blank sheet

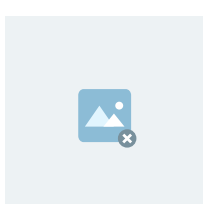
Part No. **44524**
 EAN **4251269324581**
 Package quantity **1**
 Length **1.027 mm**
 Width **136 mm**
 Height **56 mm**
 Total length gland plate **1.027 mm**

For enclosure width **1.200 mm**
 Sight size of base opening **992 mm**
 Suitable for cable entry systems: **5 × KEL-U 24 / KEL-QUICK 24**
 Suitable for enclosure **Häwa H390 / H395**

KDR-ESR-HW-1200-1

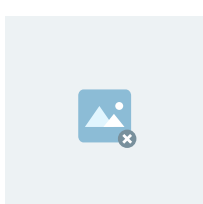
Part No. **44526**
 EAN **4251269324604**
 Package quantity **1**
 Length **1.027 mm**
 Width **133 mm**
 Height **70 mm**
 Total length gland plate **1.027 mm**

For enclosure width **1.200 mm**
 Sight size of base opening **992 mm**
 Suitable for cable entry systems: **4 × KEL-U 24 / KEL-QUICK 24, 1 × KEL-JUMBO 1**
 Suitable for enclosure **Häwa H390 / H395**

KDR-ESR-HW-1200-1

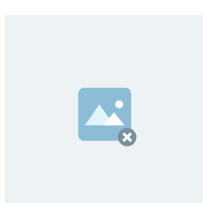
Part No. **44525**
 EAN **4251269324598**
 Package quantity **1**
 Length **1.027 mm**
 Width **133 mm**
 Height **70 mm**
 Total length gland plate **1.027 mm**

For enclosure width **1.200 mm**
 Sight size of base opening **992 mm**
 Suitable for cable entry systems: **4 × KEL-U 24 / KEL-QUICK 24, 1 × KEL-JUMBO 2**
 Suitable for enclosure **Häwa H390 / H395**

KDR-ESR-HG2-600-43250

Part No. **43250**
 EAN **4251269317033**
 Package quantity **1**
 Length **432 mm**
 Width **131,5 mm**
 Height **62,3 mm**
 Total length gland plate **432 mm**

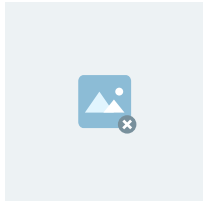
For enclosure width **600 mm**
 Sight size of base opening **368 mm**
 Suitable for cable entry systems: **1 × KEL-U 16 / KEL-QUICK 16, 1 × KEL-JUMBO 2**
 Suitable for enclosure **nVent Hoffman PROLINE G2**

KDR-ESR-HG2-600-43251

Part No. **43251**
 EAN **4251269317040**
 Package quantity **1**
 Length **432 mm**
 Width **81 mm**
 Height **52,8 mm**
 Total length gland plate **432 mm**

For enclosure width **600 mm**
 Sight size of base opening **368 mm**
 Suitable for cable entry systems: **2 × KEL-U 24 / KEL-QUICK 24**
 Suitable for enclosure **nVent Hoffman PROLINE G2**

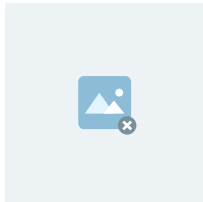
KDR-ESR-HG2-800-43252



Part No. **43252**
EAN **4251269317057**
Package quantity **1**
Length **632 mm**
Width **131,5 mm**
Height **45 mm**
Total length gland plate **632 mm**

For enclosure width **800 mm**
Sight size of base opening **568 mm**
Suitable for cable entry systems: **2 × KEL-U 24 / KEL-QUICK 24, 1 × KEL-JUMBO 2**
Suitable for enclosure **nVent Hoffman PROLINE G2**

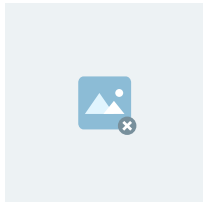
KDR-ESR-HG2-800-43253



Part No. **43253**
EAN **4251269317064**
Package quantity **1**
Length **632 mm**
Width **81 mm**
Height **52,8 mm**
Total length gland plate **632 mm**

For enclosure width **800 mm**
Sight size of base opening **568 mm**
Suitable for cable entry systems: **3 × KEL-U 24 / KEL-QUICK 24**
Suitable for enclosure **nVent Hoffman PROLINE G2**

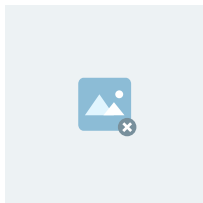
KDR-ESR-HG2-1000-43254



Part No. **43254**
EAN **4251269317071**
Package quantity **1**
Length **832 mm**
Width **131,5 mm**
Height **41,3 mm**
Total length gland plate **832 mm**

For enclosure width **1.000 mm**
Sight size of base opening **768 mm**
Suitable for cable entry systems: **3 × KEL-U 24 / KEL-QUICK 24, 1 × KEL-JUMBO 2**
Suitable for enclosure **nVent Hoffman PROLINE G2**

KDR-ESR-HG2-1000-43255



Part No. **43255**
EAN **4251269317088**
Package quantity **1**
Length **832 mm**
Width **81 mm**
Height **52,8 mm**
Total length gland plate **832 mm**

For enclosure width **1.000 mm**
Sight size of base opening **768 mm**
Suitable for cable entry systems: **4 × KEL-U 24 / KEL-QUICK 24**
Suitable for enclosure **nVent Hoffman PROLINE G2**